

**DESCRIPTION:**

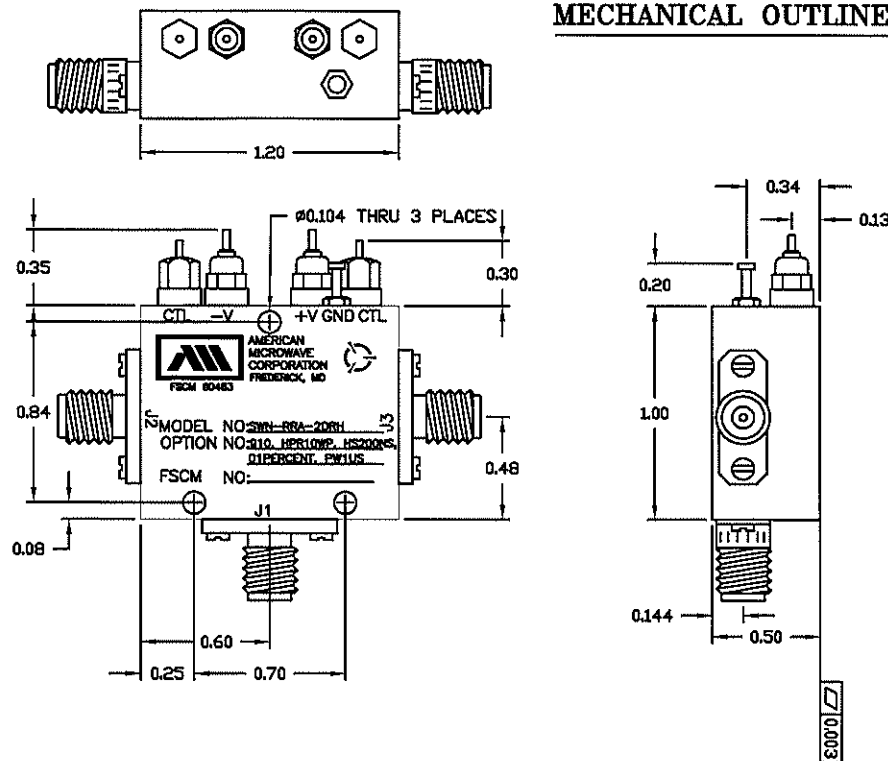
AMC MODEL SWN-RA-2DRH-COMDEV OPTION 910, HPR1WP, HS200NS, 01PERCENT & PW1US IS A SINGLE POLE TWO THROW NARROW BAND REFLECTIVE SWITCH MODULE, DESIGNED FOR THE 9 TO 10 GHz FREQUENCY RANGE. THIS 80 dB ISOLATION SWITCH IS DESIGNED FOR HIGH INPUT POWER (+40 dBm).

REVISIONS				
ZONE	REV.	DESCRIPTION	DATE	APPROVED
		- ORIGINAL RELEASE JOB #801015PE	2/6/08	

**SPECIFICATIONS:**

- FREQUENCY: . . . . . 9 TO 10 GHz
- INSERTION LOSS: . . . . . 2.5 dB MAXIMUM
  - VS. FREQUENCY: . . . . . ± 0.5 dB MAX WITH RESPECT TO NOMINAL INSERTION LOSS
  - VS. TEMPERATURE: . . . . . ± 0.3 dB MAX WITH RESPECT TO NOMINAL INSERTION LOSS
- NOMINAL INSERTION LOSS IS DEFINED AS THE VALUE MEASURED AT AN AMBIENT TEMPERATURE OF 25°C AT THE CENTER FREQUENCY OF 10.0 GHz
- ISOLATION: . . . . . 80 dB MINIMUM
- VSWR (ALL PORTS): . . . . . 2.0:1 MAXIMUM
- SWITCHING SPEED: . . . . . 200 nS MAXIMUM (10% - 90% AND 90% - 10% RF)
- HARMONIC LEVELS: . . . . . -30 dBc UNDER MAX INPUT CONDITIONS
- SPURIOUS OUTPUT: . . . . . -115 dBc MAX, UP TO 200 MHz AWAY FROM 10 GHz AT AN INPUT POWER LEVEL OF +29.5 dBm
- THIRD ORDER INTERCEPT: +42dBm MINIMUM
- MEAN TIME BETWEEN FAILURES: 1,000,000 HOURS MINIMUM
- POWER SUPPLY: . . . . . +5.0VDC ±5% @ 160 mA MAXIMUM  
 . . . . . -12.0VDC ±5% @ 50mA MAXIMUM
- RF INPUT POWER: . . . . . +40 dBm CW MAX
- PEAK POWER: . . . . . 10 WATTS

**MECHANICAL OUTLINE**



CONTROL INPUTS		STATE
C1	C2	
0	0	NOT VALID
0	1	*J1-J2 ON, J1-J3 OFF
1	0	*J1-J2 OFF, J1-J3 ON
1	1	BOTH OFF

\*J1-J2 CORRESPONDS TO RF1, J1-J3 CORRESPONDS TO RF2

**OPTIONS:**

- OPTION 910: 9 TO 10 GHz FREQUENCY RANGE
- OPTION HPR10WP: 10 WATTS PEAK
- OPTION HS200NS: 200NSEC RISE/FALL TIME
- OPTION 01PERCENT: 1% DUTY CYCLE
- OPTION PW1US: 1 USEC PULSE WIDTH

ALL DIMENSIONS ARE IN INCHES  
 TOLERANCES:  
 .XX ±0.010  
 .XXX ±0.005

**ENVIRONMENTAL RATINGS:**

- TEMPERATURE: . . . . . -55°C TO +85°C (OPERATING)  
 . . . . . -65°C TO +125°C (STORAGE)
- HUMIDITY: . . . . . MIL-STD-202F, METHOD 103B COND. B
- SHOCK: . . . . . MIL-STD-202F, METHOD 213B COND. B
- VIBRATION: . . . . . MIL-STD-202F, METHOD 204D COND. B
- ALTITUDE: . . . . . MIL-STD-202F, METHOD 105C COND. B
- TEMPERATURE CYCLE: . . . . . MIL-STD-202F, METHOD 107D COND. A

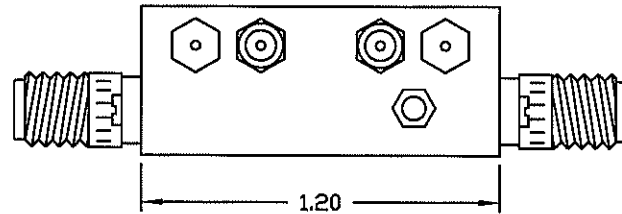
NOTE: THE ABOVE SPECIFICATIONS ARE SUBJECT TO CHANGE OR REVISION

PART NO.		AMERICAN MICROWAVE CORPORATION FREDERICK, MARYLAND	
APPROVALS	DATE	TITLE	
<i>KMS</i>	2/6/08	PRODUCT FEATURE SWN-RA-2DRH-COMDEV OPTION 910, HPR10WP, HS200NS, 01PERCENT, PW1US	
DRAWN	CHECKED	SIZE	FSCM NO.
		A	60483
ISSUED		DWG NO.	REV.
		100-6919-2	-
SCALE N:S		SHEET 1 OF 3	

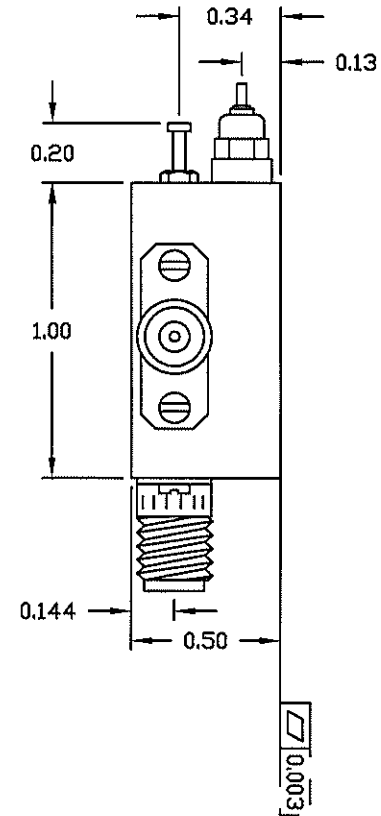
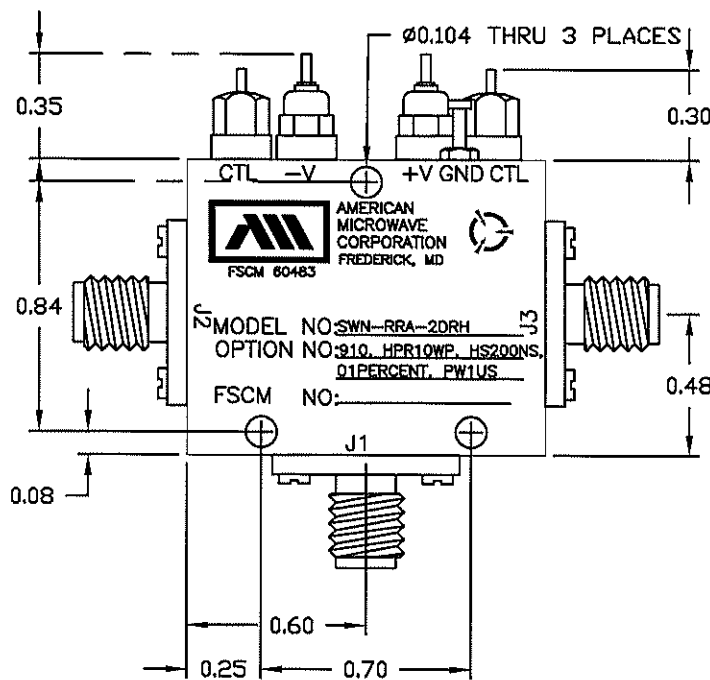
**DESCRIPTION:**

AMC MODEL SWN-RRA-2DRH-COMDEV OPTION 910, HPR1WP, HS200NS, 01PERCENT & PW1US IS A SINGLE POLE TWO THROW NARROW BAND REFLECTIVE SWITCH MODULE, DESIGNED FOR THE 9 TO 10 GHz FREQUENCY RANGE. THIS 80 dB ISOLATION SWITCH IS DESIGNED FOR HIGH INPUT POWER (+40 dBm).

REVISIONS				
ZONE	REV.	DESCRIPTION	DATE	APPROVED
	-	ORIGINAL RELEASE JOB# 801015PE	2/6/08	



**MECHANICAL OUTLINE**



ALL DIMENSIONS ARE IN INCHES  
 TOLERANCES:  
 X.XX ±0.010  
 X.XXX ±0.005

PART NO.		AMERICAN MICROWAVE CORPORATION FREDERICK, MARYLAND			
APPROVALS	DATE	TITLE			
DRAWN <i>J.M.S.</i>	2/8/08	MECHANICAL OUTLINE SWN-RRA-2DRH-COMDEV OPTION 910,HPR1WP,HS200NS,01PERCENT,PW1US			
CHECKED		SIZE	FSCM NO.	DWG NO.	REV.
ISSUED		A	60483	100-6919-2	-
		SCALE	N:S		SHEET 2 OF 3